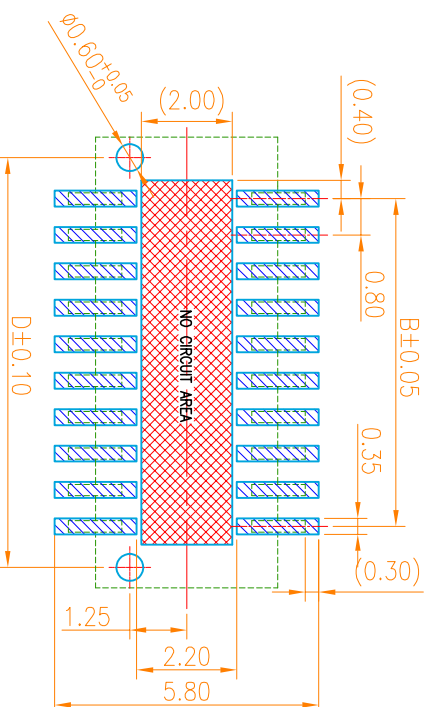
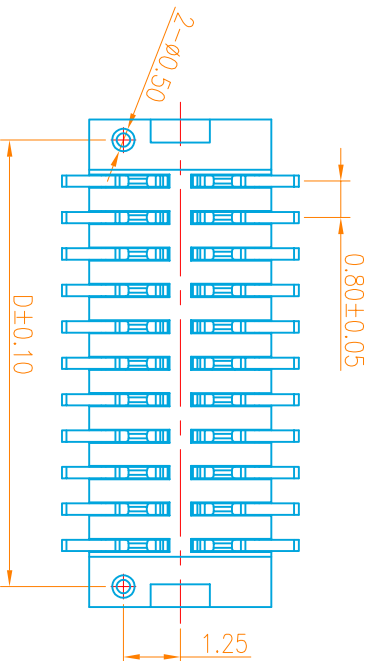
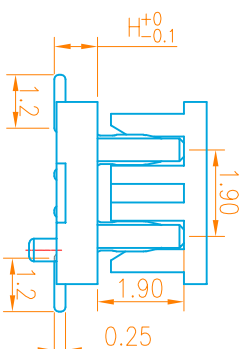
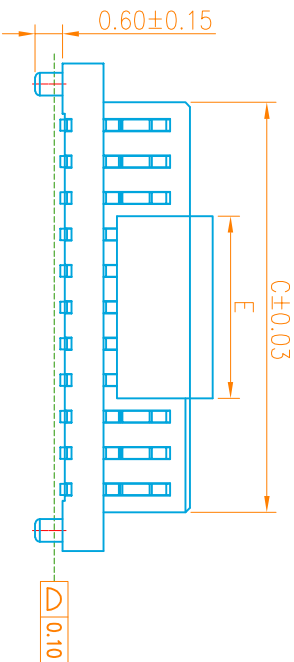
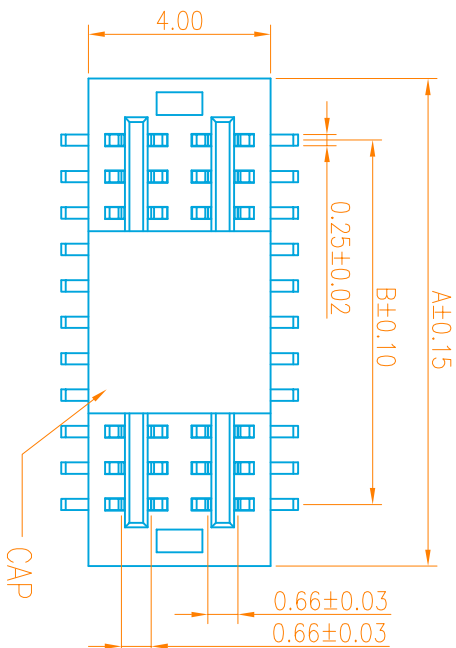
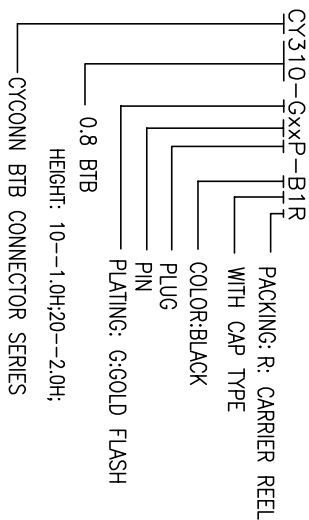
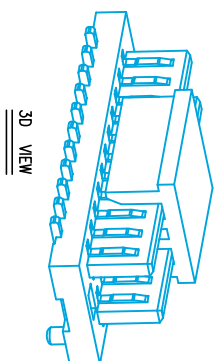
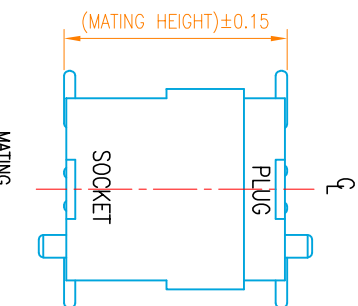


NOTES:

- 1.HOUSING: PA9T HIGH-TEMP THERMOPLASTIC UL94V-0 COLOR:BLACK
- 2.TERMINAL:PHOSPHOR BRONZE
PLATING:1*“GOLD FLASH OVERALL 50~100*“NICKEL UNDER PLATED.
- 3.CODING INFORMATION: CY310-GxxP-B1R



RECOMMENDED PCB PATTERN DIM.
TOLERANCE : ±0.05

MATING HEIGHT (H)	PLUG (H)	SOCKET (H)	NO.of contacts	Dimensions					NO.of contacts	Dimensions				
				A	B	C	D	E		A	B	C	D	E
4.0	1.0	3.0	4	3.50	0.80	1.80	2.60	54	23.50	20.80	21.80	22.60		
4.5	1.0	3.5	6	4.30	1.60	2.80	3.40	56	24.30	21.60	22.60	23.40		
5.0	1.0	4.0	8	5.10	2.40	3.40	4.20	58	25.10	22.40	23.40	24.20		
5.5	1.0	4.5	10	5.90	3.20	4.20	5.00	60	25.90	23.20	24.20	25.00		
6.0	2.0	4.0	12	6.70	4.00	5.00	5.80	62	26.70	24.00	25.00	25.80		
6.5	2.0	4.5	14	7.50	4.80	5.80	6.60	64	27.50	24.80	25.80	26.60		
			16	8.30	5.60	6.60	7.40	66	28.30	25.60	26.60	27.40		
			18	9.10	6.40	7.40	8.20	68	29.10	26.40	27.40	28.20		
			20	9.90	7.20	8.20	9.00	70	29.90	27.20	28.20	29.00		
			22	10.70	8.00	9.00	9.80	72	30.70	28.00	29.00	29.80		
			24	11.50	8.80	9.80	10.60	74	31.50	28.80	29.80	30.60		
			26	12.30	9.60	10.60	11.40	76	32.30	29.60	30.60	31.40		
			28	13.10	10.40	11.40	12.20	78	33.10	30.40	31.40	32.20		
			30	13.90	11.20	12.20	13.00	80	33.90	31.20	32.20	33.00		
			32	14.70	12.00	13.00	13.80	82	34.70	32.00	33.00	33.80		
			34	15.50	12.80	13.80	14.60	84	35.50	32.80	33.80	34.60		
			36	16.30	13.60	14.60	15.40	86	36.30	33.60	34.60	35.40		
			38	17.10	14.40	15.40	16.20	88	37.10	34.40	35.40	36.20		
			40	17.90	15.20	16.20	17.00	90	37.90	35.20	36.20	37.00		
			42	18.70	16.00	17.00	17.80	92	38.70	36.00	37.00	37.80		
			44	19.50	16.80	17.80	18.60	94	39.50	36.80	37.80	38.60		
			46	20.30	17.60	18.60	19.40	96	40.30	37.60	38.60	39.40		
			48	21.10	18.40	19.40	20.20	98	41.10	38.40	39.40	40.20		
			50	21.90	19.20	20.20	21.00	100	41.90	39.20	40.20	41.00		

东莞市创亿科技有限公司
DONGGUAN CYCONN TECHNOLOGY CO., LTD

品名 (ITEM): 0.8mm 双槽BTB PLUG

料号 (PART NO.): CY3XX-GxxP-B1R

比例 (SCALE): 1:8

审核 (CHK):
标准 (APP):

一般公差
±0.10
±0.05
±0.03
±0.30

版本 (VER):
日期 (DATE):
签名 (SIGNATURE):

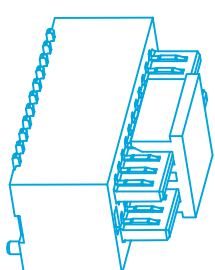
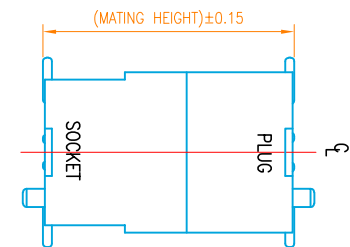
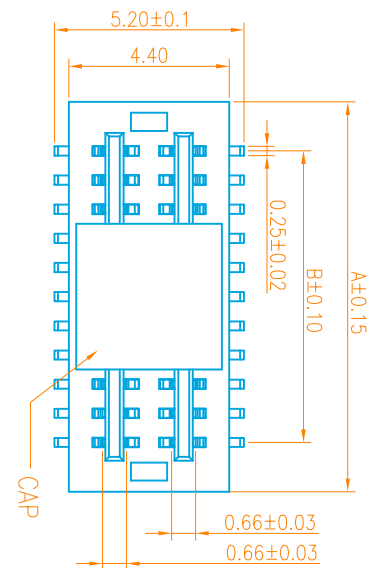
修改摘要 (REVISION DESCRIPTION):

修订 (SR)

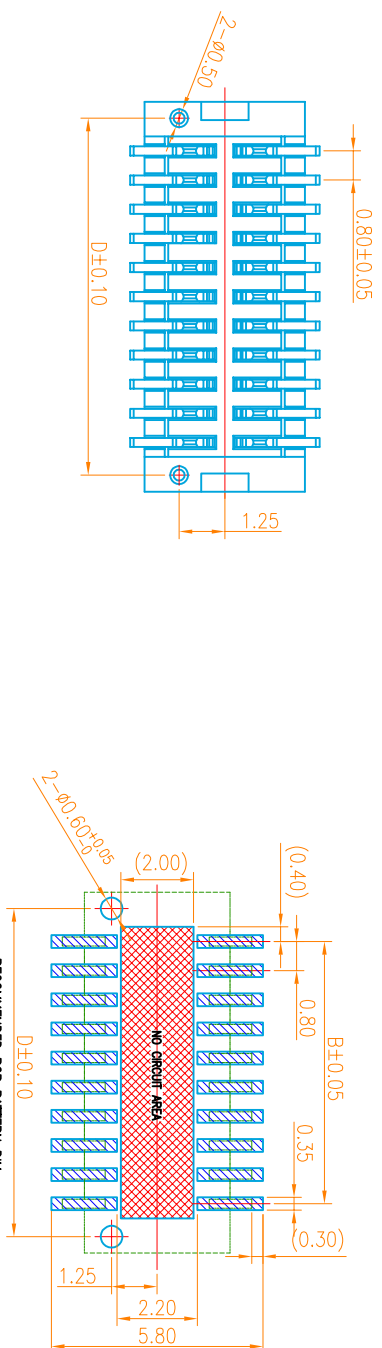
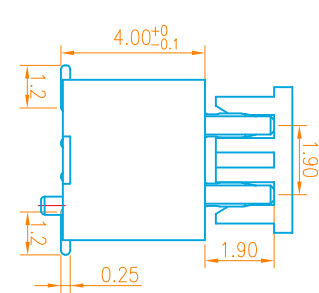
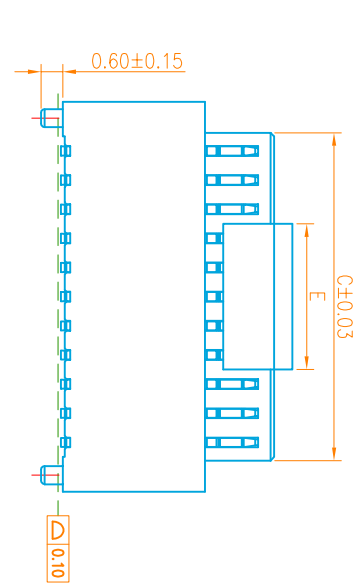
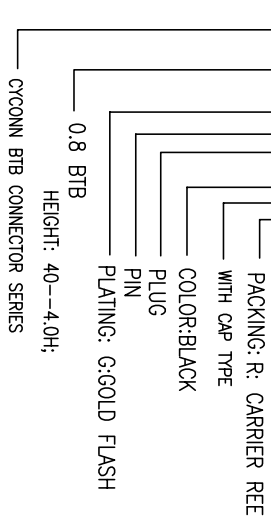
ROHS Compliant
2013/9/5/EC

NOTES:

- HUOSING: PA9T HIGH-TEMP THERMOPLASTIC UL94V-0 COLOR:BLACK
- TERMINAL:PHOSPHOR BRONZE
- PLATING:1*''GOLD FLASH OVERALL 50~100*''NICKEL UNDER PLATED.
- CODING INFORMATION: CY340-GxxP-B1R



3D VIEW



RECOMMENDED PCB PATTERN DIM.
TOLERANCE : ±0.05

MATING HEIGHT (H)	PLUG (H)	SOCKET (H)	NO. of contacts	Dimensions					NO. of contacts	Dimensions				
				A	B	C	D	E		A	B	C	D	E
7.0	4.0	3.0	4	3.50	0.80	1.80	2.60	54	23.50	20.80	21.80	22.60		
7.5	4.0	3.5	6	4.30	1.60	2.60	3.40	56	24.30	21.60	22.60	23.40		
8.0	4.0	4.0	8	5.10	2.40	3.40	4.20	58	25.10	22.40	23.40	24.20		
8.5	4.0	4.5	10	5.90	3.20	4.20	5.00	60	25.90	23.20	24.20	25.00		
			12	6.70	4.00	5.00	5.80	62	26.70	24.00	25.00	25.80		
			14	7.50	4.80	5.80	6.60	64	27.50	24.80	25.80	26.60		
			16	8.30	5.60	6.60	7.40	66	28.30	25.60	26.60	27.40		
			18	9.10	6.40	7.40	8.20	68	29.10	26.40	27.40	28.20		
			20	9.90	7.20	8.20	9.00	70	29.90	27.20	28.20	29.00		
			22	10.70	8.00	9.00	9.80	72	30.70	28.00	29.00	29.80		
			24	11.50	8.80	9.80	10.60	74	31.50	28.80	29.80	30.60		
			26	12.30	9.60	10.60	11.40	76	32.30	29.60	30.60	31.40		
			28	13.10	10.40	11.40	12.20	78	33.10	30.40	31.40	32.20		
			30	13.90	11.20	12.20	13.00	80	33.90	31.20	32.20	33.00		
			32	14.70	12.00	13.00	13.80	82	34.70	32.00	33.00	33.80		
			34	15.50	12.80	13.80	14.60	84	35.50	32.80	33.80	34.60		
			36	16.30	13.60	14.60	15.40	86	36.30	33.60	34.60	35.40		
			38	17.10	14.40	15.40	16.20	88	37.10	34.40	35.40	36.20		
			40	17.90	15.20	16.20	17.00	90	37.90	35.20	36.20	37.00		
			42	18.70	16.00	17.00	17.80	92	38.70	36.00	37.00	37.80		
			44	19.50	16.80	17.80	18.60	94	39.50	36.80	37.80	38.60		
			46	20.30	17.60	18.60	19.40	96	40.30	37.60	38.60	39.40		
			48	21.10	18.40	19.40	20.20	98	41.10	38.40	39.40	40.20		
			50	21.90	19.20	20.20	21.00	100	41.90	39.20	40.20	41.00		

东莞市创亿科技有限公司
DONGGUAN CYCONN TECHNOLOGY CO., LTD

一般公差 ±0.10 ±0.05 ±0.02 ±0.30	制程 (MFG):	品名 (ITEM):	0.8mm 双槽BITB PLUG
修改 SR	审核 (CHK):	料号 (PART NO):	CY3XX-GxxP-B1R
修订 SR	日期 (DATE):	单张 (UNITS):	1 OF 1
修改 SR	日期 (DATE):	张数 (SHEET):	1 OF 1
修改 SR	日期 (DATE):	图幅 (SIZE):	A4

ROHS Compliant
2013/9/5/EC
PA6
Customer