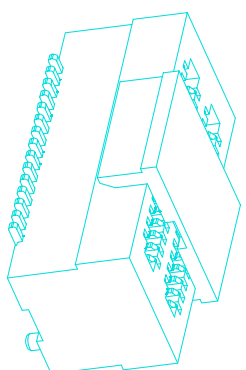
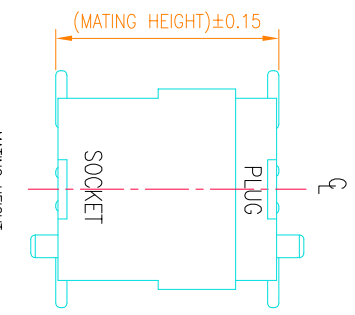
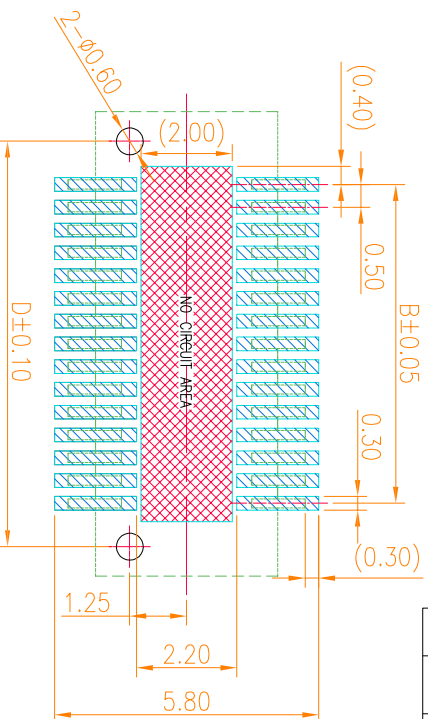
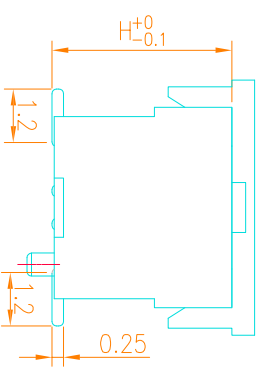
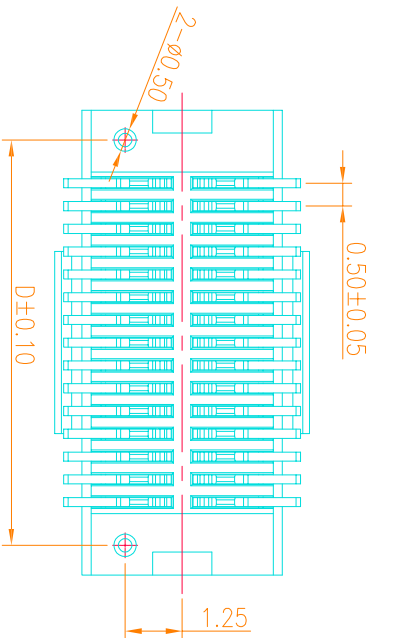
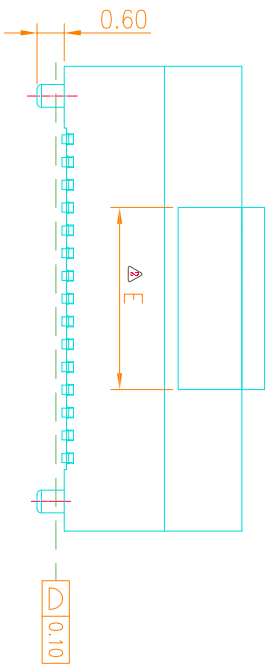
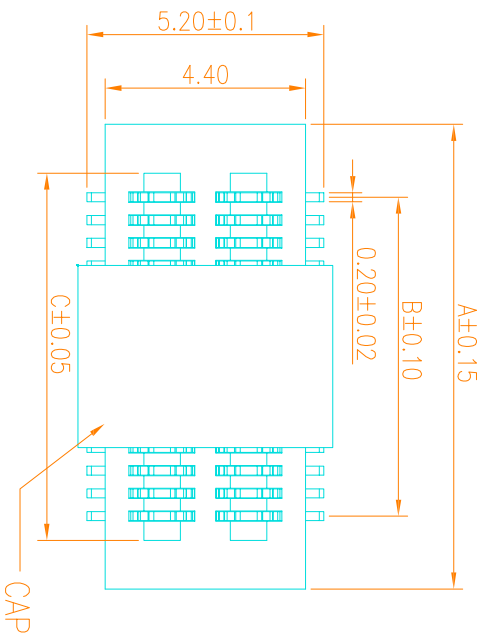
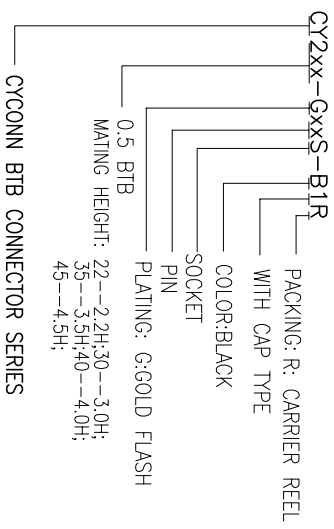


NOTES:

- 1.HOUSING: PA9T HIGH-TEMP THERMOPLASTIC UL94V-0 COLOR:BLACK
- 2.TERMINAL:PHOSPHOR BRONZE  
PLATING:1μ" GOLD FLASH OVERALL 50~100μ" NICKEL UNDER PLATED.
- 3.CODING INFORMATION: CY2xx-GxxS-B1R



3D VIEW



RECOMMENDED PCB PATTERN DIM.

TOLERANCE : ±0.05

MATING HEIGHT (H)	PLUG (H)	SOCKET (H)	NO. of contacts	Dimensions					NO. of contacts	Dimensions				
				A	B	C	D	E		A	B	C	D	E
3.0	0.8	2.2	4	3.70	0.50	1.56	2.40	54	16.20	13.00	14.06	14.90		
3.5	1.3	2.2	6	4.20	1.00	2.06	2.90	56	16.70	13.50	14.56	15.40		
4.0	1.0	3.0	8	4.70	1.50	2.56	3.40	58	17.20	14.00	15.06	15.90		
4.5	1.0	3.5	10	5.20	2.00	3.06	3.90	60	17.70	14.50	15.56	16.40		
5.0	1.0	4.0	12	5.70	2.50	3.56	4.40	62	18.20	15.00	16.06	16.90		
5.5	1.0	4.5	14	6.20	3.00	4.06	4.90	64	18.70	15.50	16.56	17.40		
6.0	2.0	4.0	16	6.70	3.50	4.56	5.40	66	19.20	16.00	17.06	17.90		
6.5	2.0	4.5	18	7.20	4.00	5.06	5.90	68	19.70	16.50	17.56	18.40		
			20	7.70	4.50	5.56	6.40	70	20.20	17.00	18.06	18.90	4.00	
			22	8.20	5.00	6.06	6.90	72	20.70	17.50	18.56	19.40		
			24	8.70	5.50	6.56	7.40	74	21.20	18.00	19.06	19.90		
			26	9.20	6.00	7.06	7.90	76	21.70	18.50	19.56	20.40		
			28	9.70	6.50	7.56	8.40	78	22.20	19.00	20.06	20.90		
			30	10.20	7.00	8.06	8.90	80	22.70	19.50	20.56	21.40		
			32	10.70	7.50	8.56	9.40	82	23.20	20.00	21.06	21.90		
			34	11.20	8.00	9.06	9.90	84	23.70	20.50	21.56	22.40		
			36	11.70	8.50	9.56	10.40	86	24.20	21.00	22.06	22.90		
			38	12.20	9.00	10.06	10.90	88	24.70	21.50	22.56	23.40		
			40	12.70	9.50	10.56	11.40	90	25.20	22.00	23.06	23.90		
			42	13.20	10.00	11.06	11.90	92	25.70	22.50	23.56	24.40	8.00	
			44	13.70	10.50	11.56	12.40	94	26.20	23.00	24.06	24.90		
			46	14.20	11.00	12.06	12.90	96	26.70	23.50	24.56	25.40		
			48	14.70	11.50	12.56	13.40	98	27.20	24.00	25.06	25.90		
			50	15.20	12.00	13.06	13.90	100	27.70	24.50	25.56	26.40		

东莞市创亿科技有限公司  
DONGGUAN CYCONN TECHNOLOGY CO., LTD

一般公差  
CONGRUITY TOLERANCES  
mm  
±0.25  
mm  
±0.15  
mm  
±0.05  
±J

如图 (REF): 品名 (PART NO): 0.5mm 双槽 BTB SOCKET  
料号 (PART NO): CY2xx-GxxP-B1R  
比例 (SCALE): 1:8  
单件 (UNIT): 张数 (SHEET):  
mm I OF 1 图幅 (SIZE): A4

修订 (REV)	修改摘要 (REVISION DESCRIPTION)	姓名 (SIGNATURE)	日期 (DATE)

RoHS Compliant  
2013/95/EC  
Pb  
RoHS  
Compliant  
2013/95/EC